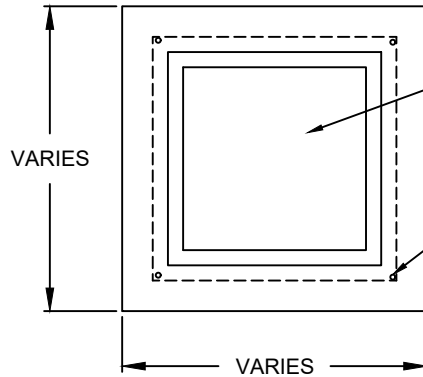


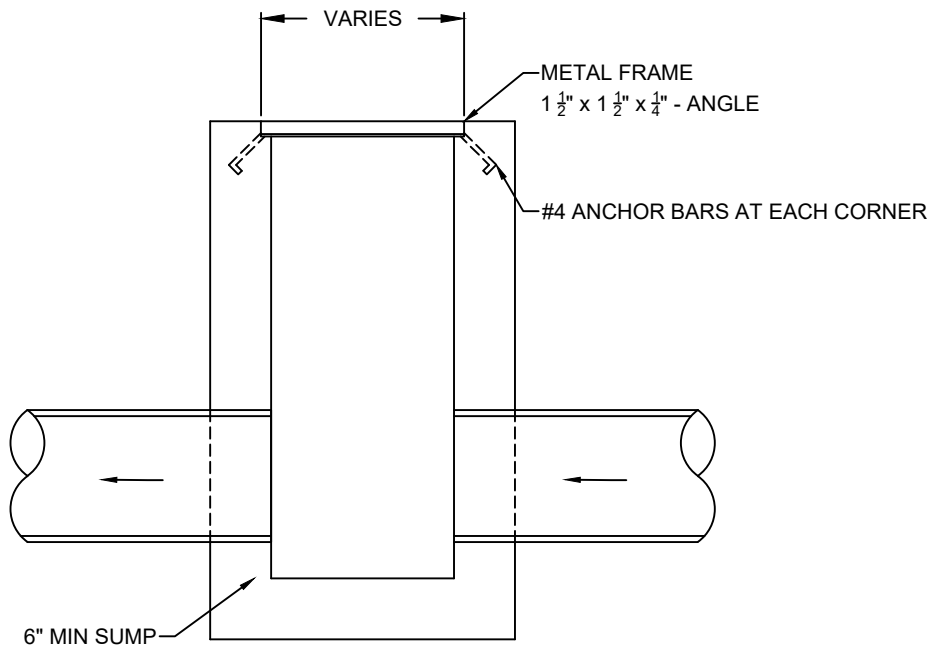
D&L I-9040 GRATE OR EQUIVALENT

NOTE: BICYCLE SAFE GRATE TRAFFIC RATED



STEEL GRATE

#4 BARS AT CORNERS & AROUND TOP



METAL FRAME
1 1/2" x 1 1/2" x 1/4" - ANGLE

#4 ANCHOR BARS AT EACH CORNER

6" MIN SUMP

STANDARD #

14

DRAWN BY:

MJV

CHECKED BY:

BT

SCALE:

N.T.S.

DATE:

2/14/2018

CONSTRUCTION STANDARDS

STANDARD CATCH BASIN DETAIL

680 S. Woodland Hills Dr.
Woodland Hills, UT 84653
P Phone: 801-423-1962
F ax: 801-423-3501
www.woodlandhillsut.com

