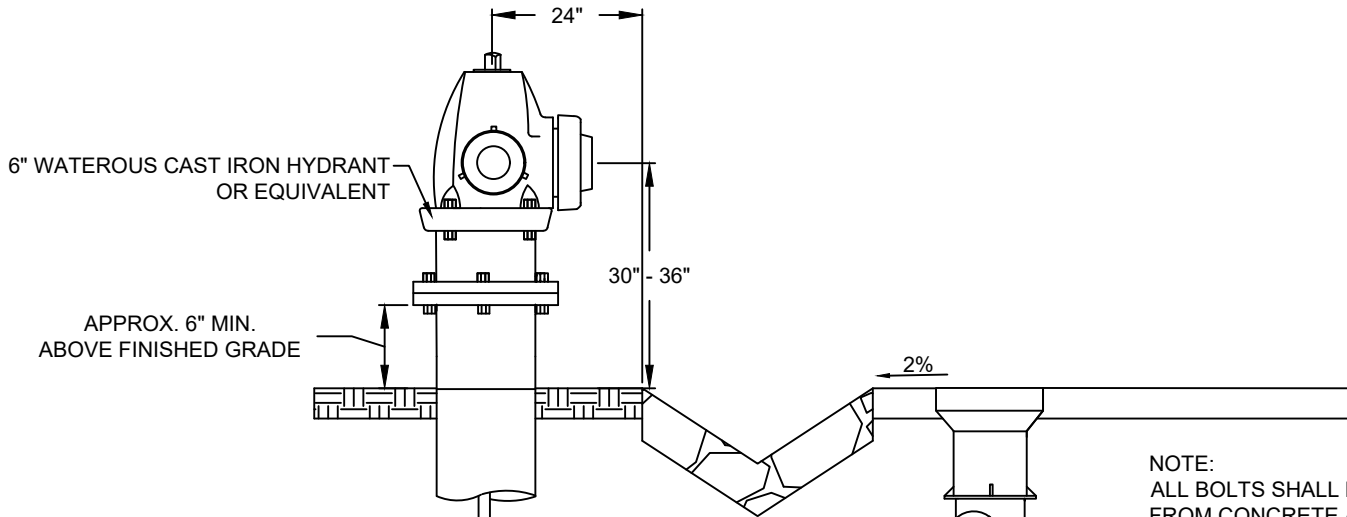


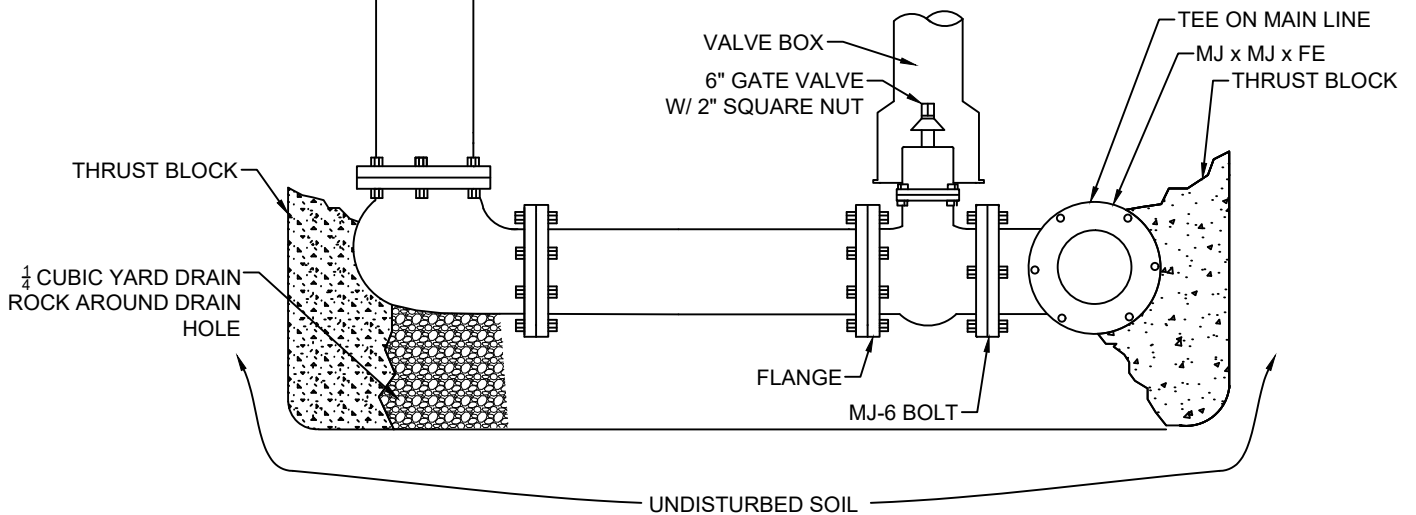
CURB OPTION



6" WATEROUS CAST IRON HYDRANT OR EQUIVALENT

APPROX. 6" MIN. ABOVE FINISHED GRADE

NOTE:
ALL BOLTS SHALL BE FREE FROM CONCRETE AND FULLY ACCESSIBLE



NOTES:

1. HYDRANT VALVE TO BE PLACED AT THE MAIN LINE TEE
2. TRACER WIRE TO BE ATTACHED TO HYDRANT VALVE AND COME TO VALVE BOX WITH MIN. 24" SLACK

STANDARD #

11

DRAWN BY:

BDS

CHECKED BY:

BT

SCALE:

N.T.S.

DATE:

2/14/2018

CONSTRUCTION STANDARDS

STANDARD FIRE HYDRANT DETAIL

680 S. Woodland Hills Dr.
Woodland Hills, UT 84653
P Phone: 801-423-1962
F Ax: 801-423-3501
www.woodlandhillsutah.org

