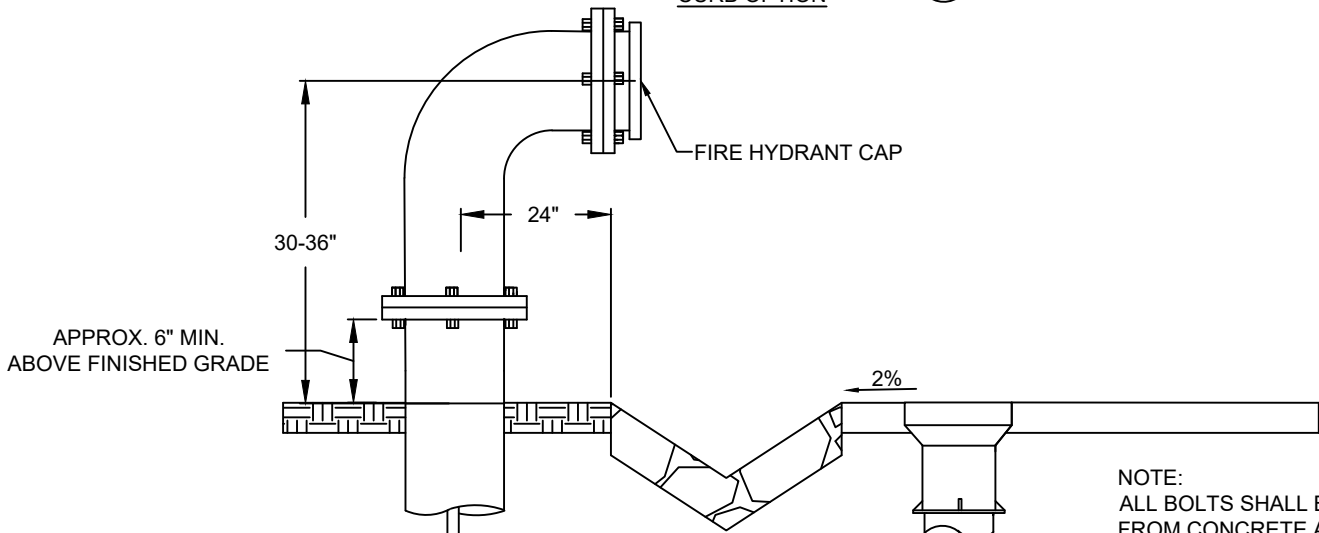
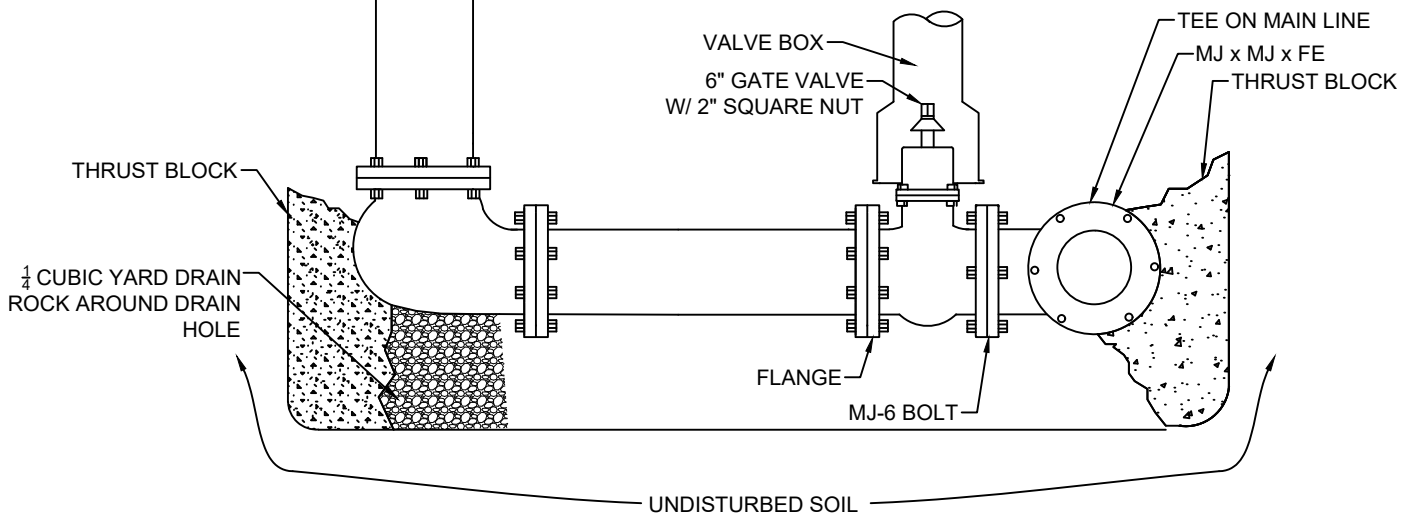


CURB OPTION



NOTE:
ALL BOLTS SHALL BE FREE FROM CONCRETE AND FULLY ACCESSIBLE



NOTES:

1. BLOW-OFF VALVE TO BE PLACED AT THE MAIN LINE TEE
2. TRACER WIRE TO BE ATTACHED TO BLOW-OFF VALVE AND COME TO VALVE BOX WITH MIN. 24" SLACK

STANDARD #

20

DRAWN BY:

BDS

CHECKED BY:

BT

SCALE:

N.T.S.

DATE:

7/20/2018

CONSTRUCTION STANDARDS

BLOW-OFF VALVE DETAIL

680 S. Woodland Hills Dr.
Woodland Hills, UT 84653
Phone: 801-423-1962
Fax: 801-423-3501
www.woodlandhillsut.gov

