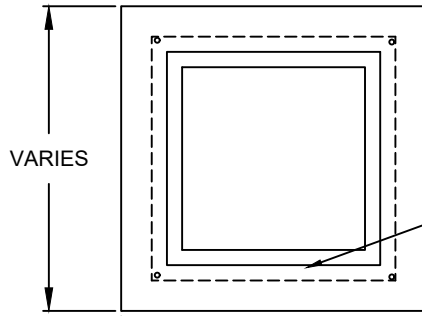


D&L I-9040 GRATE OR EQUIVALENT

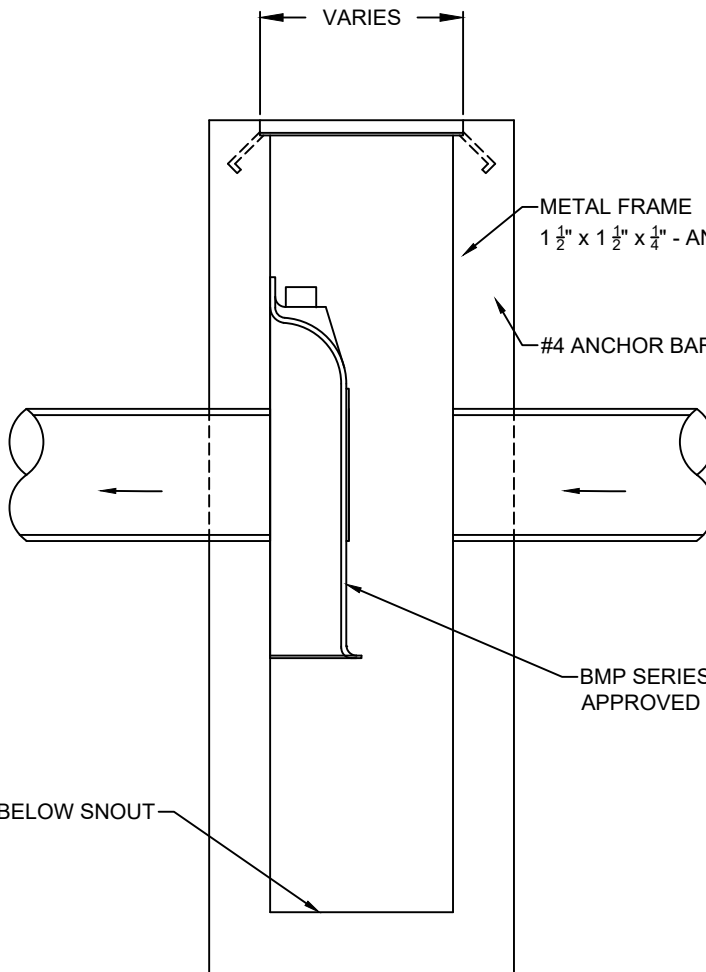
NOTE: BICYCLE SAFE GRATE TRAFFIC RATED



STEEL GRATE

VARIES

#4 BARS AT CORNERS & AROUND TOP



METAL FRAME
1 1/2" x 1 1/2" x 1/4" - ANGLE

#4 ANCHOR BARS AT EACH CORNER

BMP SERIES F SNOUT OR
APPROVED EQUIVALENT

MIN. 3' SUMP BELOW SNOUT

STANDARD #

15

DRAWN BY:
MJV

CHECKED BY:
BT

SCALE:
N.T.S.

DATE:
2/14/2018

CONSTRUCTION STANDARDS

PRE-TREATMENT BOX DETAIL

680 S. Woodland Hills Dr.
Woodland Hills, UT 84653
P Phone: 801-423-1962
F ax: 801-423-3901
www.woodlandhillsutah.org

